



HEAD & TRACHEA PULLER



foodmate
Poultry Processing Systems

The head puller with a drive unit is designed for removing chicken heads and trachea after their necks have been cut

(it is usually located after the defeathering stage).



Our mission is to innovate, automate and bring cost-effective solutions to the industry.

HEAD & TRACHEA PULLER

Key Benefit:

- Allows for a maximum of 6.000 birds per hour

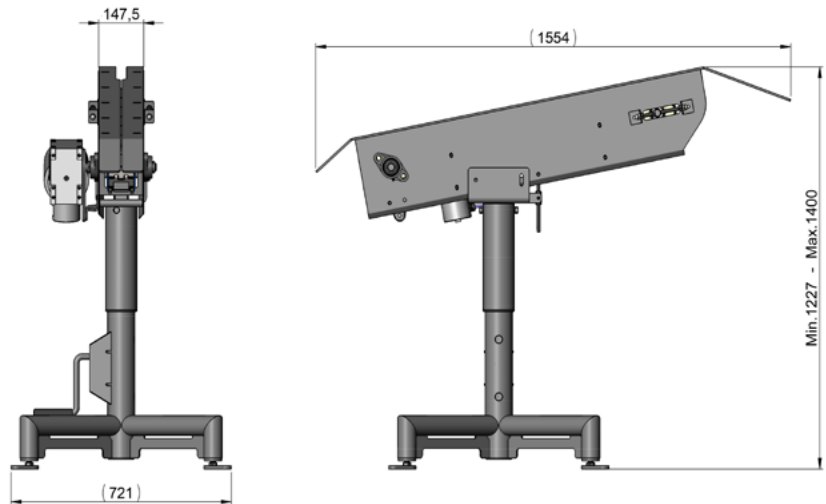
Foodmate is an equipment manufacturing company based in the Netherlands. Founded in 2006, we focus primarily on poultry processing, and we recently launched Foodmate Brasil, expanding our worldwide distribution into South America. Driven by research, paired with unmatched knowledge and decades of experience, it's our mission to innovate, automate and bring cost-effective solutions to the industry.

Our product line spans a wide assortment of processing equipment designed for live bird handling, killing and defeathering, eviscerating, chilling, weighing, cut-up systems, deboning and more.

Our team represents decades of industry knowledge and experience resulting in the engineering, development and implementation of new designs for our clients and their ever-changing needs.

Technical Specifications:

- Stainless steel frame and motor
- Motor (IP66) power is 0,55 kW
- Machine dimensions:
 - Length: 1554 mm
 - Width: 721 mm
 - Height: 1227 mm - 1400 mm
 - Weight: approx. 104 kg



FOODMATE B.V.
The Netherlands
Phone: +31 186 630 240
info@foodmate.nl • www.foodmate.nl

FOODMATE POLSKA
Poland
Phone: +48 601 270 015
biuro@foodmate.pl • www.foodmate.pl

FOODMATE US
U.S.A.
Phone: +1 678 819 5270
info@foodmateusa.com • www.foodmateus.com

FOODMATE BRASIL
Brasil
Phone: +55 19 3308 7768
foodmatebrasil@foodmate.br.com • www.foodmate.nl


foodmate

FOODMATE UK LTD
United Kingdom
Phone: +44 33330 11110
info@foodmate.uk • www.foodmate.uk