



FM 8.50 TURKEY PRIME WING/THIGH/ DRUMSTICK DEBONER



foodmate

Poultry Processing Systems

The Foodmate 8.50 Turkey Thigh/Drum/Prime Wing Deboner debones up to 40 turkey pieces per minute. The machine is constructed of stainless steel with a stainless steel curve drum. It can be adjusted easily for various bird sizes designed to debone with the control panel located next to the enter area. The machine can be loaded by one operator and has an automatic unloading device for the deboned meat and bones.

The deboner works according to the "diaphragm principle". This principle is put into operation as the product is inserted on the diaphragm and the bone is pressed out of the meat by a pen. The meat is then held up at the bottom, while the bone is pressed through an opening in the center of the diaphragm, stripping the meat from the bone. Lastly, the bone is cut by the optional saw and meat disposed of by the unloader.



Knuckle saw

Our mission is to innovate, automate and bring cost-effective solutions to the industry.



FM 8.50 TURKEY PRIME WING/THIGH/DRUMSTICK DEBONER

Key Benefits:

- Allows for a maximum of 40 pieces per minute
- Achieves high yields by selecting the right size diaphragms
- Open design allows for easy access for cleaning and maintenance.
- Heavy duty construction to handle up to 22 kg turkeys
- Compact design and footprint
- Minimum moving parts = low cost of ownership

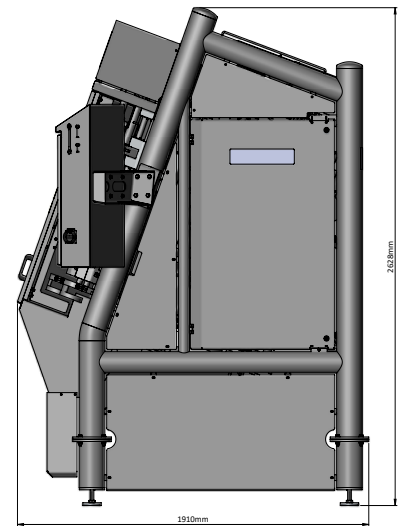
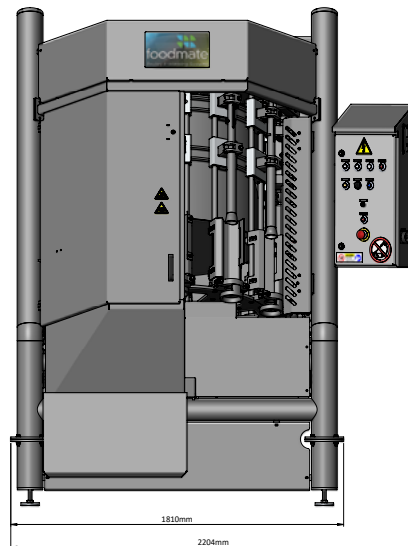
Foodmate is an equipment manufacturing company based in the Netherlands. Founded in 2006, we focus primarily on poultry processing, and we recently launched Foodmate Brasil, expanding our worldwide distribution into South America. Driven by research, paired with unmatched knowledge and decades of experience, it's our mission to innovate, automate and bring cost-effective solutions to the industry.

Our product line spans a wide assortment of processing equipment designed for live bird handling, killing and de-feathering, eviscerating, chilling, weighing, cut-up systems, deboning and more.

Our team represents decades of industry knowledge and experience resulting in the engineering, development and implementation of new designs for our clients and their ever-changing needs.

Technical Specifications:

- Stainless steel frame and motor
- Motor (IP66) power is 3 kW
- Machine dimensions:
 - Length: 1910 mm
 - Width: 2204 mm
 - Height: 2628 mm
 - Weight: approx. 1750 kg



FOODMATE B.V.
The Netherlands
Phone: +31 186 630 240
info@foodmate.nl • www.foodmate.nl

FOODMATE POLSKA
Poland
Phone: +48 601 270 015
biuro@foodmate.nl • www.foodmate.pl

FOODMATE US
U.S.A.
Phone: +1 678 819 5270
info@foodmateusa.com • www.foodmateus.com

FOODMATE BRASIL
Brasil
Phone: +55 19 3308 7768
foodmatebrasil@foodmate.br.com • www.foodmate.nl



FOODMATE UK LTD
United Kingdom
Phone: +44 33330 11110
info@foodmate.uk • www.foodmate.uk